



YLI ELECTRONIC

# Fail Safe for Glass Door Electric Strike

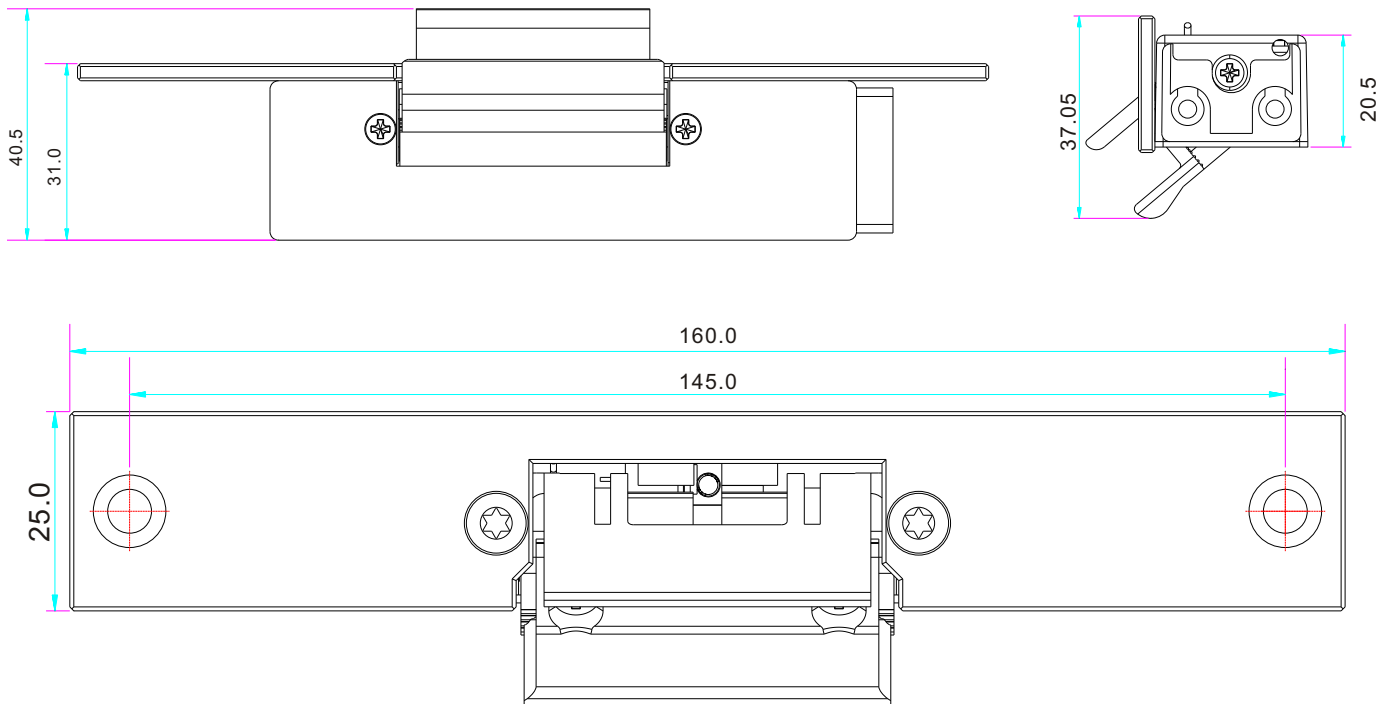


## Model:YS-133NC

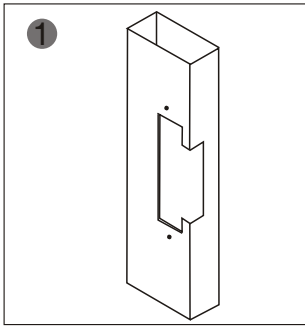
### Specification

<b>Size</b>	160Lx25Wx31H(mm)
<b>Voltage</b>	12VDC(DC24Vneed order)
<b>Current</b>	12VDC/200mA;24VDC/100mA
<b>Face plate</b>	304 stainless steel force structure
<b>Lock</b>	Zinc alloy(baking varnish by high temperature)
<b>Signal Output</b>	Lock status output NO/NC/COM(YS-133NC-S)
<b>Feature</b>	Fail safe
<b>Glass Thickness</b>	12-15mm
<b>Weight</b>	0.4kg

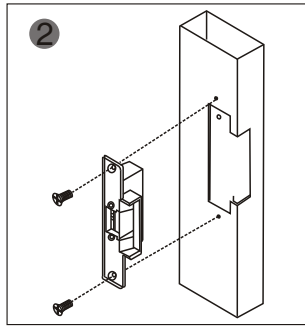
### Diagram(unit:mm)



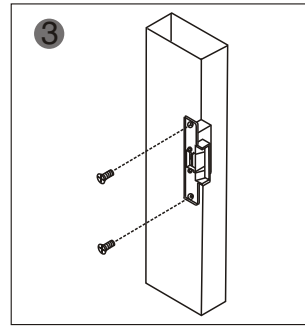
# Installation



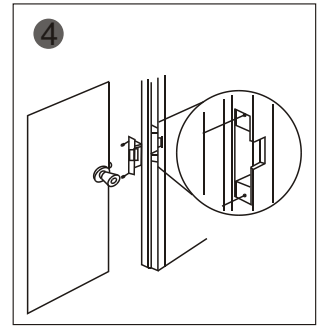
1 Cut hole according to the dimension of strike.



2 Assemble the lock and connect it to the power to test

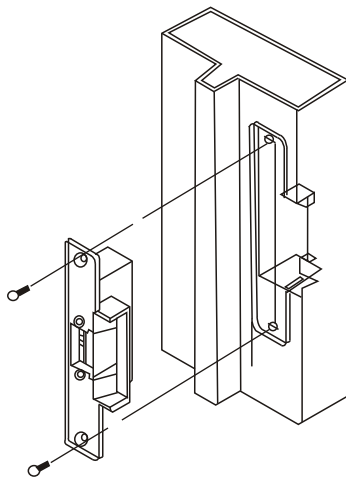


3 Fix the electric strike

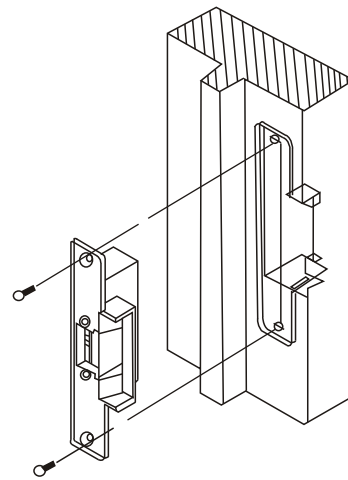


4 Finished

# Suitable for



Metal Door Frame



Wooden Door Frame

# Wire connection

